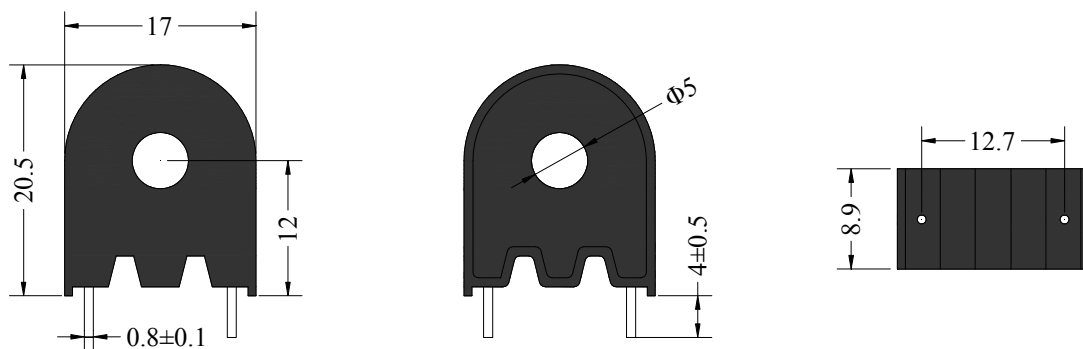


Features:

Small size, light weight, high precision, moisture-proof, anti-vibration, good consistency

Dimensions: (Unit: mm)



Electrical Characteristics:

Dimensions:Inner Diameter/Outer Diameter/L*W*H	Φ5Φ17 17*20.5*8.9
Input rated current:	5A
Output rated current	2mA
Turns ratio	2500:1
Phase difference	≤30'
Current Range:	0~30A
sLoad Resistance:	50Ω
Accuracy Class	0.2
Operating Temperature:	-40°C~+85°C
Isolation Withstand Voltage:	4000V
Sealing Material:	Epoxy
Installation Method:	PCB