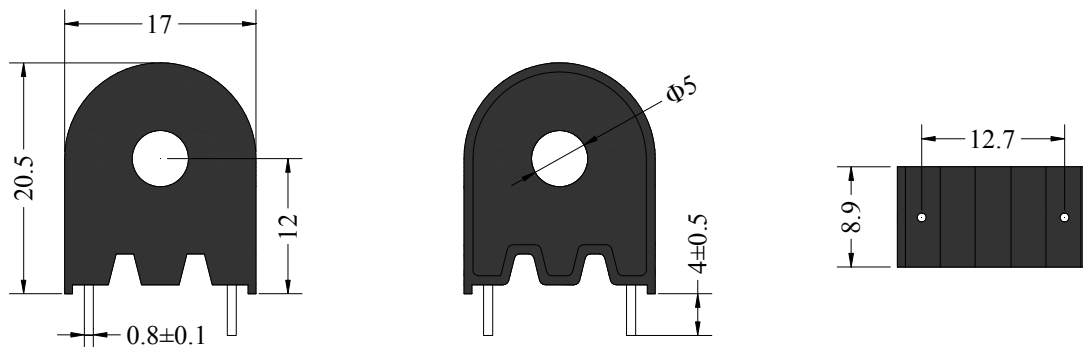


### Features:

Small size, light weight, high precision, moisture-proof, anti-vibration, good consistency

### Dimensions: (Unit: mm)



### Electrical Characteristics:

<b>Dimensions:Inner Diameter/Outer Diameter/L*W*H</b>	<b><math>\Phi 5 \Phi 17</math> 17*20.5*8.9</b>
<b>Input rated current:</b>	<b>6A</b>
<b>Output rated current</b>	<b>4mA</b>
<b>Turns ratio</b>	<b>1500:1</b>
<b>Phase difference</b>	<b><math>\leq 20'</math></b>
<b>Current Range:</b>	<b>0~10A</b>
<b>sLoad Resistance:</b>	<b>50<math>\Omega</math></b>
<b>Accuracy Class</b>	<b>0.5</b>
<b>Operating Temperature:</b>	<b>-40°C~+85°C</b>
<b>Isolation Withstand Voltage:</b>	<b>4000V</b>
<b>Sealing Material:</b>	<b>Epoxy</b>
<b>Installation Method:</b>	<b>PCB</b>