



P&Z ELECTRONICS CO.,LTD

PZ-RM8 transformer

Web:<http://www.dgpinzhan.com>

E-mail:sales@dgpinzhan.com

Part Code	Date	Production	Type	Version	Page
PZ-RM8-102K	2013/3/6	Tom	DIP	A001	1

4.General Properties:

It is recommended that the temperature of the component does not exceed +125°C under worst case conditions.

Storage Temperature:	-20 °C up to +60 °C
----------------------	---------------------

Operating Temperature:	-40 °C up to +125 °C
------------------------	----------------------

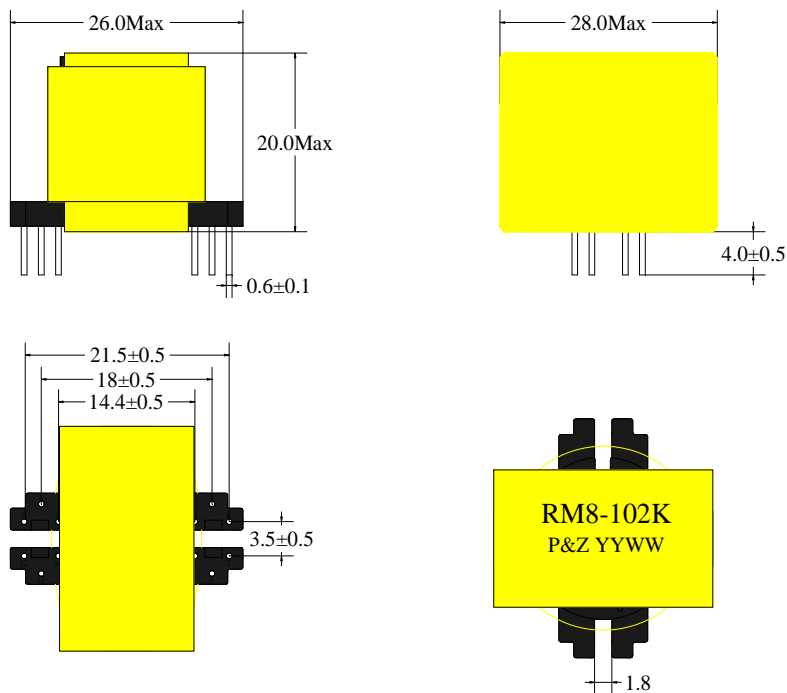
Temperature Rise<55K.

Test conditions of Electrical Properties: +20°C, 33% RH if not specified differently.

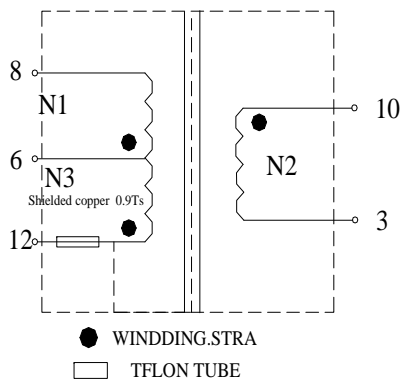
5.Electrical Properties:

Properties	Test conditions	Value	Unit	Tolerance
Inductance:6-8	1KHZ/0.3V	1000	uH	±10%
Turns ratio:	N2:N1	0.155:1		±1%
Hi-pot: Pri-Sec	AC1000V/5mA/3S		V/(AC)	Pass
Hi-pot: Pri/Sec-Core	AC500V/5mA/3S		V/(AC)	Pass

1.Dimensions: [mm]



2.Schematic:



3.Winding construction:

