



P&Z ELECTRONICS CO.,LTD

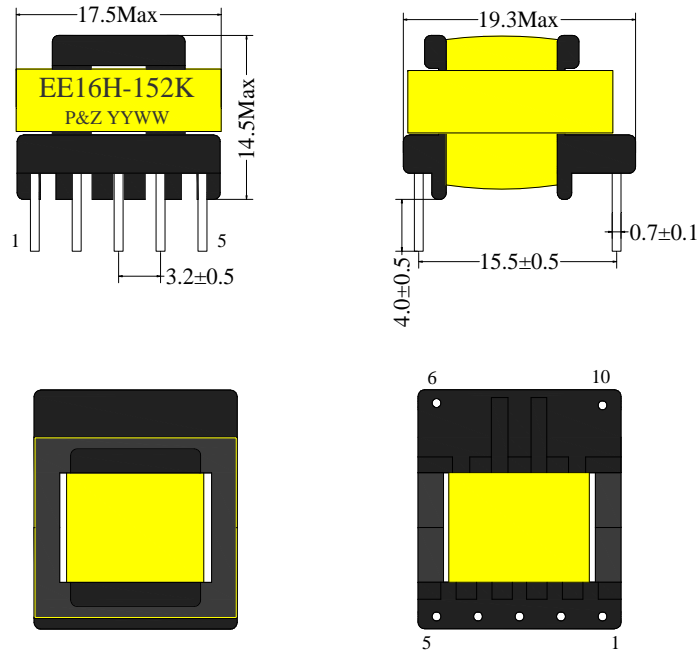
EE10 HYBRID TRANSFORMER

Web:<http://www.dgpinzhan.com>

E-mail:sale@dgpinzhan.com

Part Code	Date	Production	Type	Version	Page
PZ-EE16H-152K	2019/1/5	Tom	DIP	A001	1

1. Dimensions: [mm]



4. General Properties:

It is recommended that the temperature of the component does not exceed +125°C under worst case conditions.

Storage Temperature:	-20 °C up to +60 °C
Operating Temperature:	-40 °C up to +125 °C

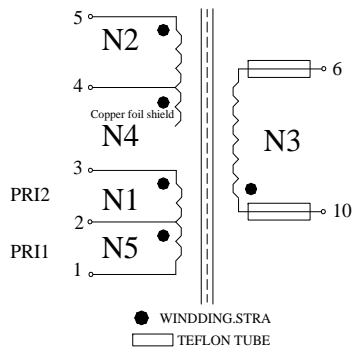
Temperature Rise < 55K.

Test conditions of Electrical Properties: +20°C, 33% RH if not specified differently.

5. Electrical Properties:

Properties	Test conditions	Value	Unit	Tolerance
Inductance:1-2	100KHZ/0.1V	1.5	mH	±10%
Leakage:1-2	100KHz/1V shor other	45	uH	Max
DC-resistance:1-2	@25 °C	2.95	Ω	Max
DC-resistance:5-4	@25 °C	920	mΩ	Max
DC-resistance:10-6	@25 °C	240	mΩ	Max
Turns ratio:Sec:Pril:Sec:Pri2:Aux		1:3.39:1:1.68:0.57		±1%
Hi-pot: Pri-Sec	AC3000V/5mA/3S			Pass
Hi-pot: Pri/Sec-Core	AC500V/5mA/3S			Pass

2. Schematic:



3. Winding construction:

